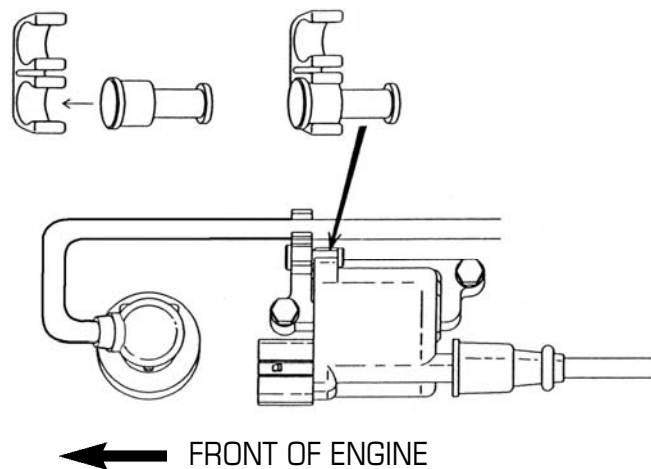


Miata Spark Plug Wires

Be aware of the small spring on the ignition coil end of each wire - it can be easily lost or damaged. When inserting the ignition coil end of the wires into the ignition coil, be sure the small spring is inserted into the coil receptacle.

Note that the molded cap covering the top of the sparkplug boot is installed with a "slip fit". If required, the cap can be moved up or down slightly on the sparkplug boot to allow for proper fit on your particular engine. If you find it necessary to slide the cap down onto the boot, pull gently on the wire where it enters into the molded cap to prevent any kinks. Press firmly onto the cap to firmly seat it against the valve cover.

Refer to drawing below for information on the correct method to attach the "long" wire to the coil. The adaptor pin is necessary because the 7mm wire will not fit into the original clip.



REMOVAL

When removing the plug wire from the sparkplug, firmly grasp the wire where it enters the cap using your thumb and forefinger. Using the other hand, grasp the cap and simultaneously pull upwards with both hands. If the boot refuses to release from the spark plug, pull back the cap and gently rock and/or rotate the boot to break the seal. Push the cap back onto the boot and repeat the removal procedure.

When replacing the wires onto the sparkplugs, we suggest that a small amount of di-electric grease be applied to the inside of the spark plug boot ends. A cotton swab may be used to evenly distribute the grease inside the cap.