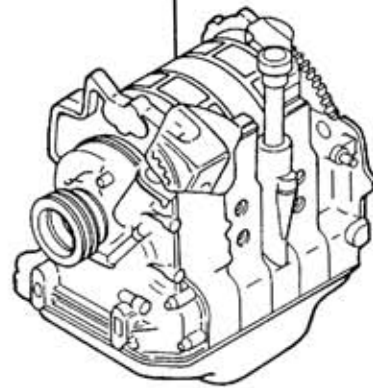


Gasket & O-Ring Kit Includes The Following Items:

10-271S

- 1-RING SET."O".....(1)
- 2-GASKET,OIL PAN.....(1)
- 3-GASKET,FRONT COVER.....(1)
- 4-GASKET.....(1)
- 5-GASKET,IN MANIFOLD.....(1)
- 6-GASKET,NO.2,IN MANIFOLD.(1)
- 7-GASKET.....(1)
- 8-GASKET,EX.MANIFOLD.....(1)
- 9-GASKET,A.C.VALVE.....(1)
- 10-GASKET,OIL STRAINER.....(1)
- 11-GASKET,METERING OIL.....(1)
- 12-GASKET,WATER PUMP.....(1)
- 13-GASKET.....(1)
- 14-GASKET,THERMOSTAT COVER.(1)
- 15-GASKET,SHUTTER VALVE.....(1)
- 16-GASKET,B.A.C. VALVE.....(1)
- 17-GASKET,EXH.PIPE.....(1)
- 18-GASKET.....(4)
- 19-GASKET.....(8)
- 20-GASKET.....(2)
- 21-GASKET.....(1)
- 22-GASKET.....(1)

23-800



- 4-GASKET.....(1)
- 5-GASKET,IN MANIFOLD.....(1)
- 8-GASKET,EX.MANIFOLD.....(1)
- 23-RING"O".....(1)
- 24-GASKET.....(1)

13-111S

① 23-0401

